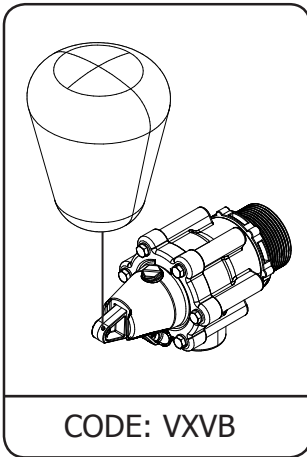


VORTEX BOTTOM FILL

PARTS IDENTIFICATION SHEET



	CODE	DESCRIPTION
1	VXPB1	Float Assembly
2	VXPB2	Cap & Actuator Assembly
3	VXPB3	Diaphragm Assembly
4		Base Assembly

	CODE	DESCRIPTION
1	VXPB1010	Float
2	VXPB1020	Float Cord

	CODE	DESCRIPTION
1	VXPB2010	Actuator Cap
2	VXPB2020	6g x 10 S/S Screw
3	VXPB2030	Frost Pro Plug
4	VXPB2040	Frost Pro O'ring
5	VXPB2050	Valve Cap Assembly
6	VXPB2060	Damping Spring
7	VXPB2070	Actuator Spring
8	VXPB2080	Bearings (set of two)
9	VXPB2090	Actuator Arm
10	VXPB2100	Bolt M6 x 65
11	VXPB2110	Washer M6 x 12.5

	CODE	DESCRIPTION
1	VXPB4010	Vortex Retainer
2	VXPB4020	Vortex Base
3	VXPB4030	Vortex O'ring
4	VXPB4040	Vortex Tail 32mm
	VXPB4045	Vortex Tail 40mm
	VXPB4050	Vortex Tail 50mm
	VXPB4055	Vortex Tail 1 1/4" NPT
	VXPB4060	Vortex Tail 1 1/2" NPT
	VXPB4065	Vortex Tail 2" NPT