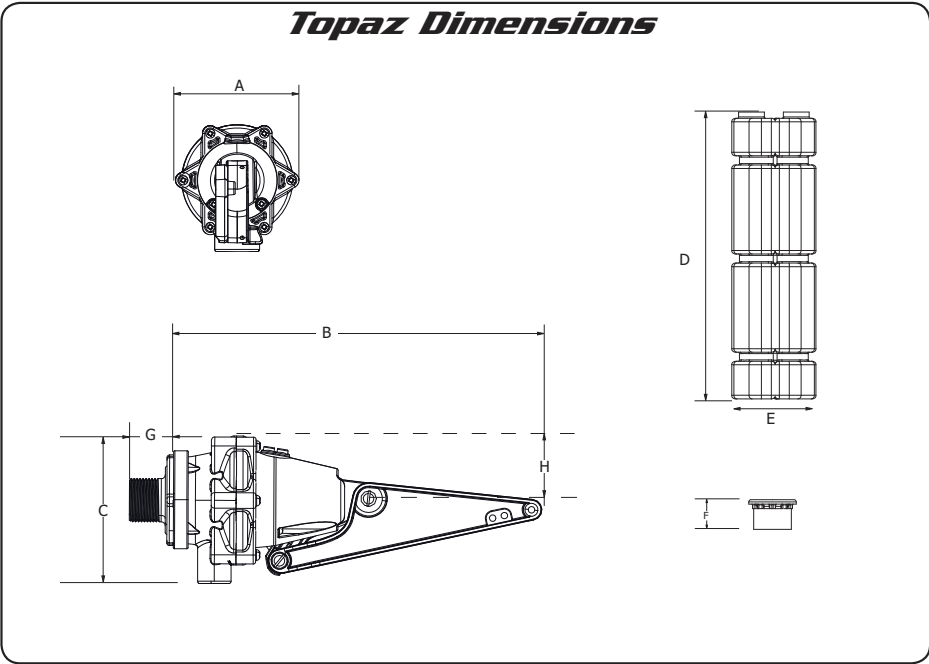


TOPAZ PARTFILL

DIMENSIONS & MATERIALS



200 L / MIN



Topaz Dimensions		
	mm	inches
A	88	3 1/2
B	227	8 15/16
C	90	3 17/32
D	208	8 3/16
E	62	2 7/16
F	20	12/16
G 15mm (1/2") Long Tail	100	3 15/16
20mm (3/4") Long Tail	46	1 13/16
25mm (1") Long Tail	62	2 7/16
32mm (1 1/4") Long Tail	67	2 21/32
H	35	1 3/8

Materials	
Valve Body	ABS
Yellow & White Internal Parts	Acetal
Filter	Acetal
Diaphragm	EPDM
Seal	Urethane
Springs, Bolts, Nuts, Pin, Screws	304 Stainless Steel
Detach Seal	Santoprene
O'Rings	Nitrile
Float	HDPE
Float Cord	Polyester

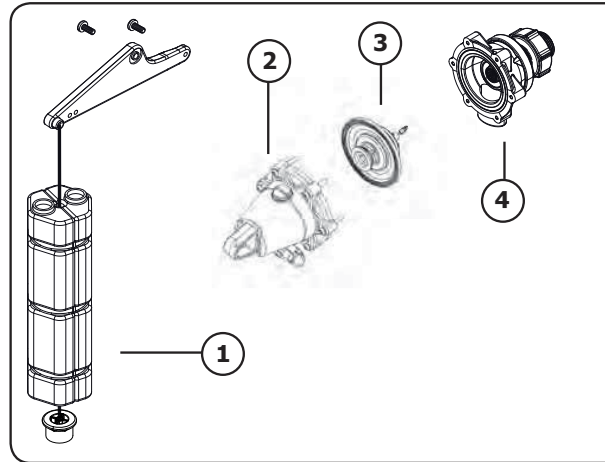
Maximum Temperature of Operation 45°C, 115°F
 NB: High Temperature models on request.

TOPAZ PARTFILL

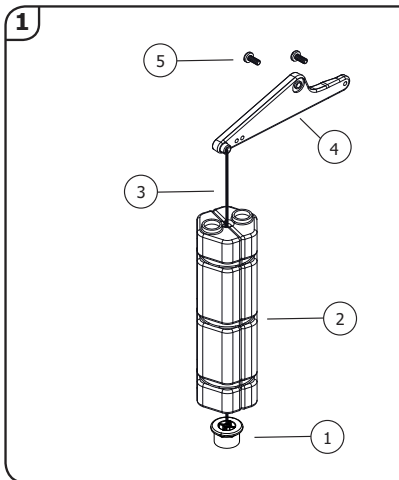
PARTS IDENTIFICATION SHEET



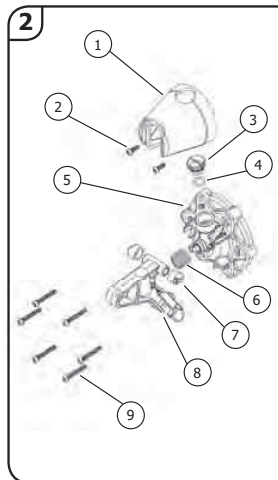
TOPAZ™ Partfill



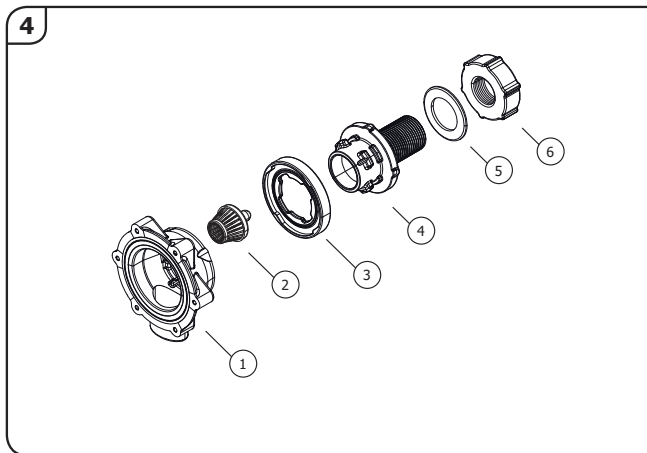
CODE	DESCRIPTION
1	TPPP1 Float, Arm & Stop Assembly
2	TPPP21 Cap & Actuator Assembly
3	TPP3 Diaphragm Assembly
4	Detach Base Assembly



CODE	DESCRIPTION
1	TPPP010 Bottom Stop
2	TPPP020 Weighted Float
3	TPPP1020 Cord
4	TPPP1050 Arm Extension
5	TPP1040 M5 x 12 Bolt



CODE	DESCRIPTION
1	TPPP2011 Actuator Cap
2	TPP2020 6g x 10 S/S Screw
3	TPP2030 Frost Pro Plug
4	TPP2040 Frost Pro O'ring
5	TPP2050 Valve Cap Assembly
6	TPPP2061 Damping Spring
7	TPP2080 Bearings (set of two)
8	TPP2090 Actuator Arm
9	TPP2100 6g x 25 S/S Screw



CODE	DESCRIPTION
1	TPP4A010 Detach Base
2	TPP4A030 Detach Filter
3	TPP4A020 Detach Seal
4	TPP4A0410 Detach Tail 15mm (1/2") Long
	TPP4A0420 Detach Tail 20mm (3/4") Long
	TPP4A0431 Detach Tail 25mm (1") Long
	TPP4A0432 Detach Tail 1" NPT Long
	TPP4A0441 Detach Tail 32mm (1 1/4") Long
	TPP4A0442 Detach Tail 1 1/4" NPT Long
5	TPP4A050 Seal Washer 15mm (1/2")
	TPP4A051 Seal Washer 20mm (3/4")
	TPP4A052 Seal Washer 25mm (1")
	TPP4A053 Seal Washer 32mm (1 1/4")
	TPP4A054 Backing Washer 32mm (1 1/4")
6	TPP4A060 Backnut 15mm (1/2")
	TPP4A061 Backnut 20mm (3/4")
	TPP4A062 Backnut 25mm (1")
	TPP4A063 Backnut 32mm (1 1/4")

200 L / MIN