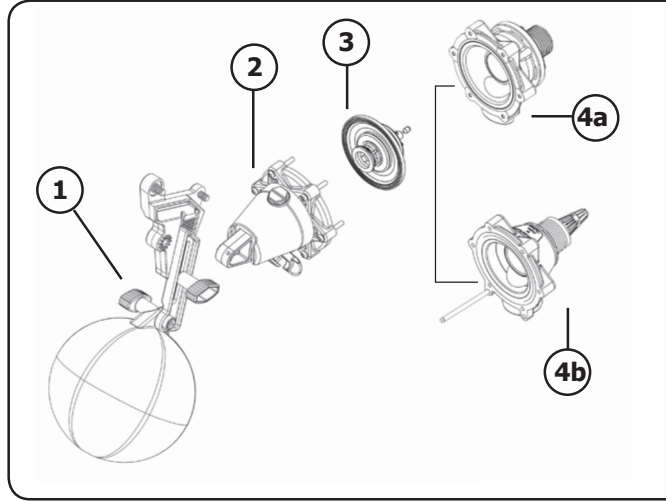
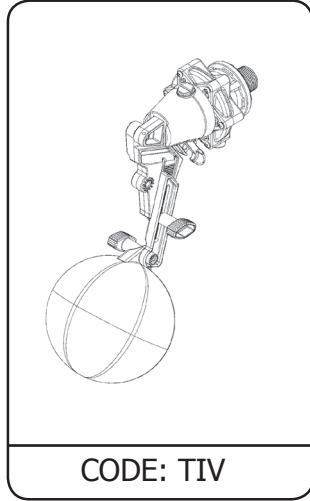


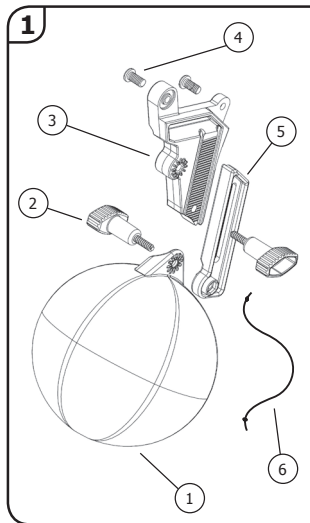


Parts Identification Sheet

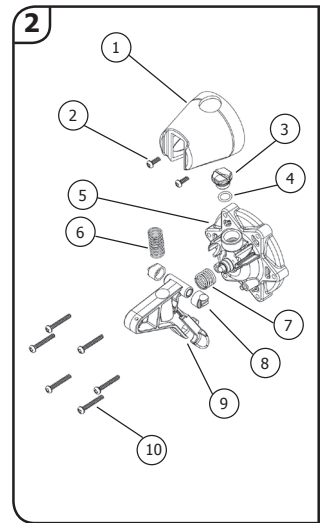
TOPAZ INDUSTRO FLOAT VALVE



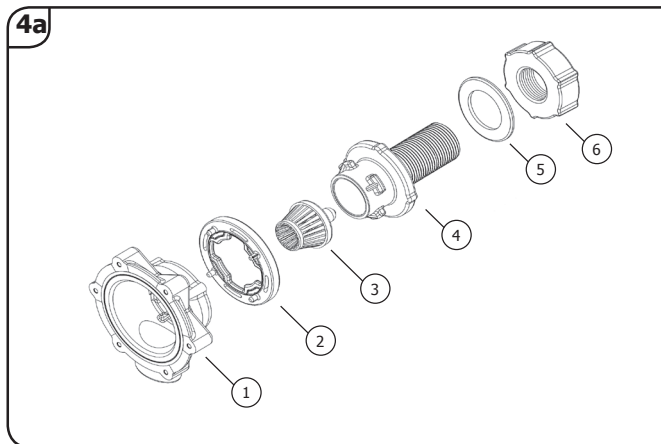
CODE	DESCRIPTION
1	Float Assembly
2	TIV2 Cap & Actuator Assembly
3	TIV 3 Diaphragm Assembly
4a	Detach Base Assembly
4b	1 Piece Base Assembly



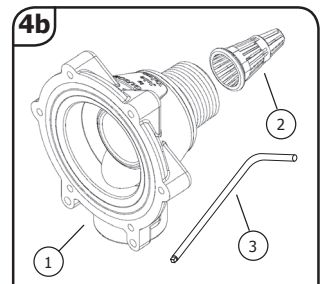
CODE	DESCRIPTION
1	TIV10110 70mm Float
	TIV10115 95mm Float
	TIV10120 125mm Float
2	TIV1020 Wing Bolt
3	TIV1030 Extension Arm
4	TIV1040 Bolt M5 x 12 Pan Slot
5	TIV1050 Extension Slide
6	TIV1060 Float Cord



CODE	DESCRIPTION
1	TIV2010 Actuator Cap
2	TIV2020 6g x 10 S/S Screw
3	TIV2030 Frost Pro Plug
4	TIV2040 Frost Pro O'ring
5	TIV2050 Valve Cap Assembly
6	TIV2060 Actuator Spring
7	TIV2070 Damping Spring
8	TIV2080 Bearings (set of two)
9	TIV2090 Actuator Arm
10	TIV2100 6g x 25 S/S Screw



CODE	DESCRIPTION
1	TIV4A010 Detach Base
2	TIV4A020 Detach Seal
3	TIV4A030 Detach Filter
4	TIV4A0410 Detach Tail 15mm (1/2") Long
	TIV4A0415 Detach Tail 20mm (3/4") Short
	TIV4A0420 Detach Tail 20mm (3/4") Long
	TIV4A0425 Detach Tail 25mm (1" bsp) Short
	TIV4A0430 Detach Tail 1" npt Short
	TIV4A0435 Detach Tail 32mm (1 1/4" bsp) Short
5	TIV4A050 Seal Washer 15mm (1/2")
	TIV4A051 Seal Washer 20mm (3/4")
6	TIV4A060 Backnut 15mm (1/2")
	TIV4A062 Backnut 20mm (3/4")



CODE	DESCRIPTION
1	TIV4B0110 1 Piece Base 20mm (3/4")
	TIV4B0115 1 Piece Base 25mm (1" bsp)
	TIV4B0120 1 Piece Base 1" npt
	TIV4B0125 1 Piece Base 32mm (1 1/4" bsp)
2	TIV4B020 Filter 20mm (3/4")
	TIV4B021 Filter 25mm (1")
	TIV4B022 Filter 32mm (1 1/4")
3	TIV4B030 Square Drive Key