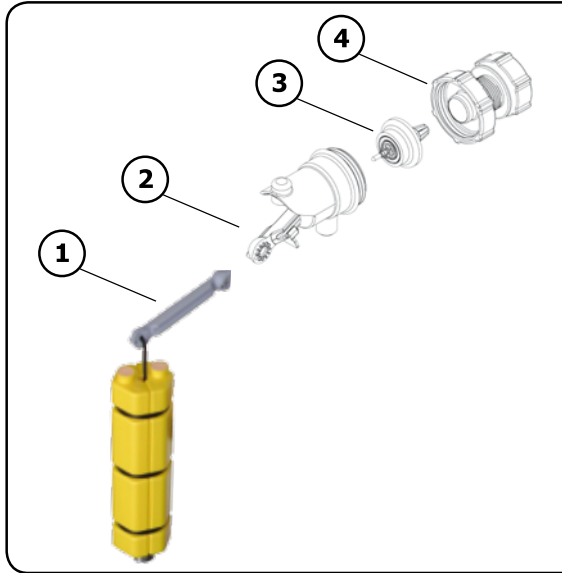
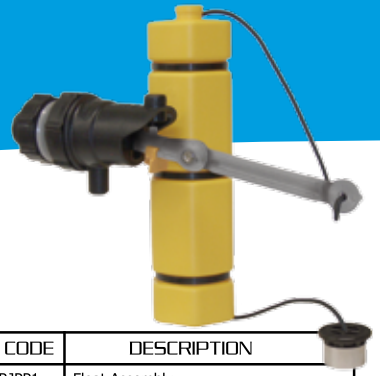
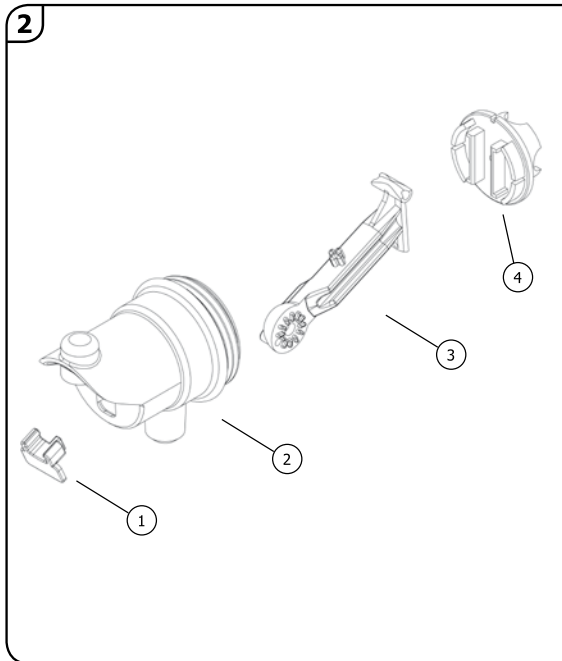
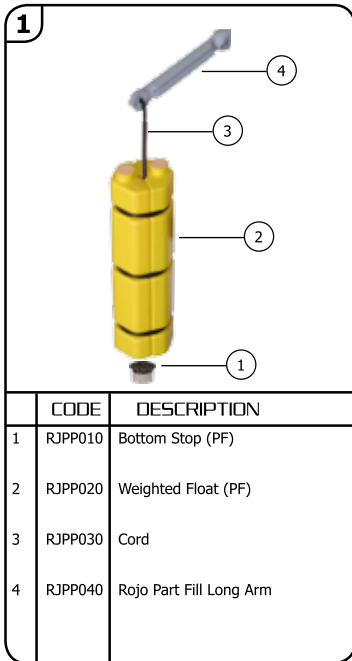




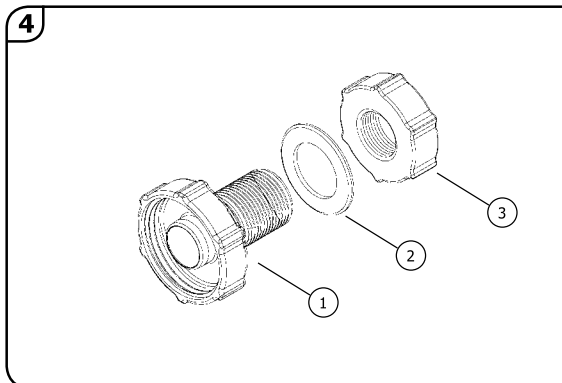
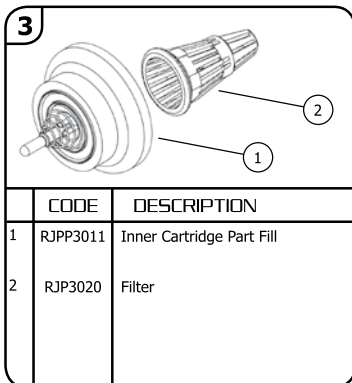
# Parts Identification Sheet



	CODE	DESCRIPTION
1	RJPP1	Float Assembly
2	RJPP2	Body Assembly
3	RJPP3	Inner Cartridge Assy (PF)
4	RJP415	15mm (1/2") Tail Assy
	RJP420	20mm (3/4") Tail Assy
	RJP420E	20mm (3/4") Ezi Start Tail Assy



	CODE	DESCRIPTION
1	RJP2010	Lock-Off Switch
2	RJP2030	Body
3	RJP2041	Arm Assy Grey
4	RJP2051	Retainer Grey



	CODE	DESCRIPTION
1	RJP4010	15mm (1/2") Tail
	RJP4011	20mm (3/4") Tail
	RJP4012	20mm (3/4") Tail Ezi Start
2	RJP4020	15mm Seal Washer
	RJP4021	20mm Seal Washer
3	RJP4030	15mm (1/2") Backing Nut
	RJP4131	20mm (3/4") Backing Nut