

# VORTEX BOTTOM FILL

## INFO SHEET



### Description

**Vortex Bottom Fill valves** are float operated valves for use in automatic filling of water troughs.

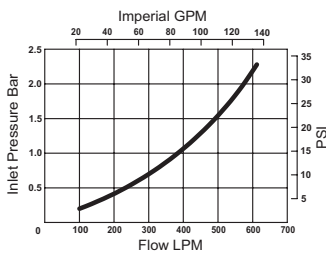
The valve is configured for **underwater mounting only**. The float is connected to the valve with a nylon cord, this operates a pilot valve, when the water level drops, the pilot valve is opened and the main diaphragm valve is activated. Vortex is a good choice where its **high flow**, compact, robust, non corrosive construction is beneficial.

### Applications

Maintaining water levels in:

- Animal drinking troughs
- Water storage tanks

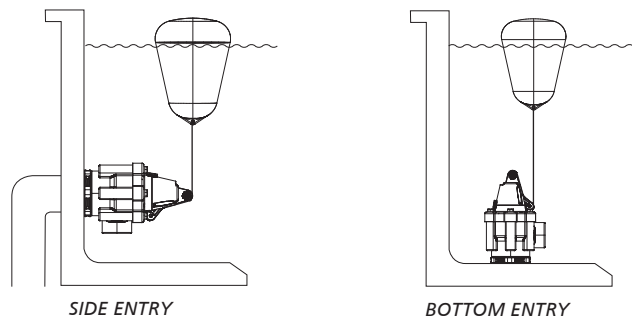
### Flow Graph ( All sizes )



### Features

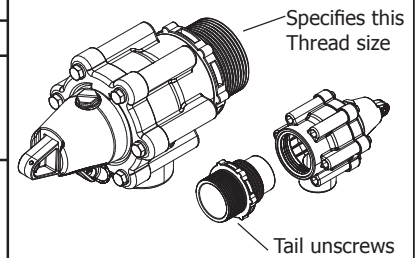
- High flow
- Compact robust construction
- Mounts horizontally or vertically
- Made from corrosion resistant materials
- Valve unscrews from tail for easy Valve seal access
- Shuts down slowly to minimise water hammer
- 20 - 60mm (¾" - 2 ½") water level differential (increases as water inlet pressure increases)
- Pressure rating 0.3 - 7 Bar (5 - 100 PSI)
- Float position easily adjustable with no tools
- Valve has switch to lock it in off position
- Has port to connect Frostpro anti freeze device

### Mounting Positions



### Options

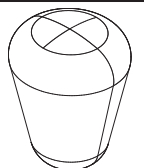
Inlet Size			
BSP	1 ¼" 32mm	1½" 40mm	2" 50mm
NPT	1 ¼"	1 ½"	2"



**Floats:** Tapered float supplied standard.

Note: Not Suitable for Top mounting.  
Refer to VXV for Vortex above water mounting.

Standard tapered Float.



### VORTEX BOTTOM FILL VALVE SPECIFICATION

PRODUCT	CODE	INLET SIZE	CODE
Vortex Float Bottom Fill Valve	VXVB	1 ¼" bsp	32
		1 ½" bsp	40
		2" bsp	50
		1 ¼" NPT	114
		1 ½" NPT	112
		2" NPT	2

eg A Vortex Bottom Fill Valve with 2" BSP thread has following spec numbers VXVB50

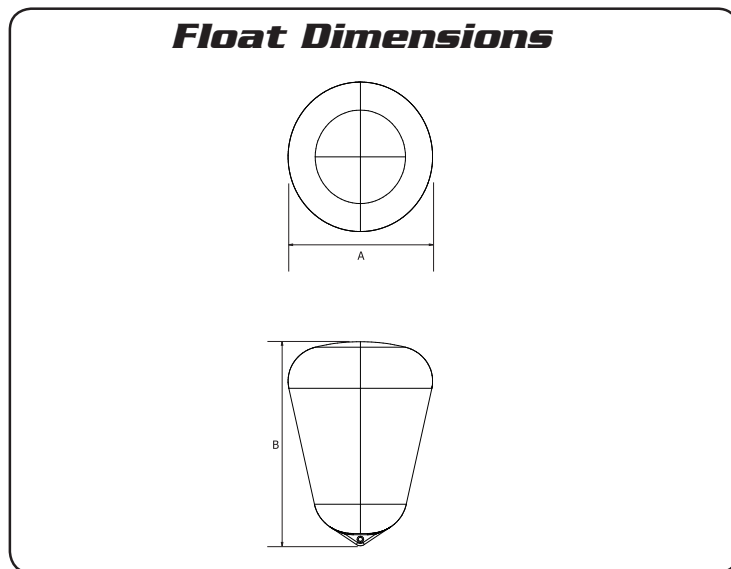
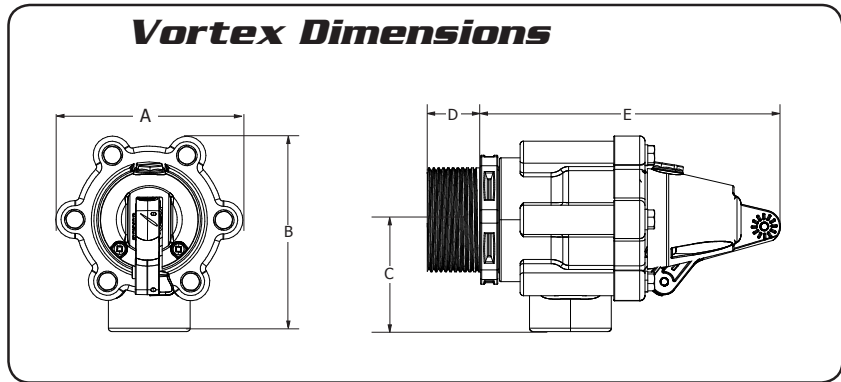
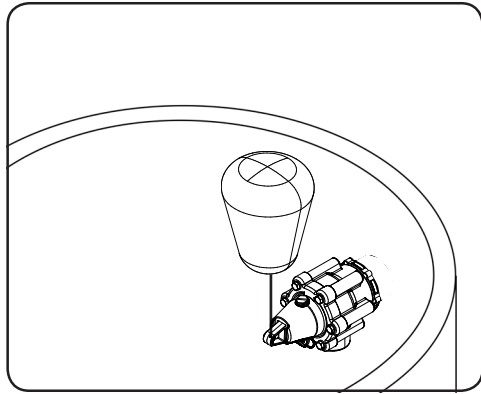
Note: Product may differ slightly from these specs due to ongoing product development.

Note: Before using check that under water mounting is allowed by local regulations.

Note: Product may differ slightly from these specs due to ongoing product development.

# VORTEX BOTTOM FILL

## DIMENSIONS & MATERIALS



<b>Vortex Dimensions</b>		
	mm	inches
A	108	4 1/4
B	110	4 3/8
C	65	2 9/16
D	31	1 7/16
E	173	6 13/16

<b>Float Dimensions</b>		
	mm	inches
A	118	4 5/8
B	168	6 5/8

Maximum Temperature of Operation 45°C, 115°F

<b>Materials</b>	
Valve Body	GF Nylon
White Internal, External	Acetal
Arm Assembly	ABS
Diaphragm	EPDM
Seal	Urethane
Springs, Bolts, Nuts, Pin, Screws	304 Stainless Steel
O'Rings	Nitrile
Float	HDPE