



FLOAT VALVE



Description

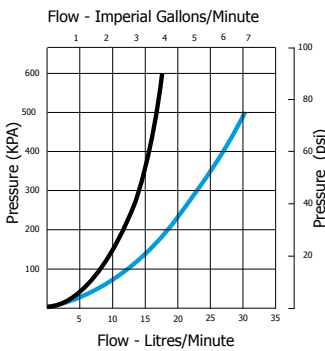
Rojo Float Valves are float operated valves for automatic filling of water storage vessels. The Rojo can be **mounted above or below water level**. It is a simple mechanically operated valve. The Rojo is a good choice where its **low flow** is sufficient and its compact non corrosive construction is beneficial.

Applications

Maintaining water levels in:

- Animal drinking troughs
- Water storage tanks
- Water Cisterns
- Process applications

Flow Graph

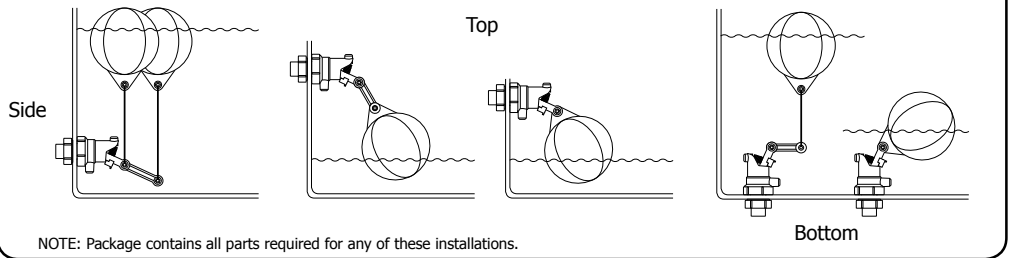


Key
 ■ Standard
 ■ High Flow

Features

- Side, Bottom, Top Mounting
- Valve body screws apart by hand for easy servicing
- Flow stops when unscrewed for servicing
- Supplied with backnut and seal washer
- Built in check valve
- Fully adjustable float angle
- Pressure range 0-10 Bar (0-150 PSI)
- High Flow model also available 0-5 Bar(0-75 psi) gives 60% more flow
- Non corrosive material construction
- Has switch to lock valve in off position

Mounting Positions



Options

Inlet sizes: 15mm 1/2" bsp/npt
 20mm 3/4" bsp/npt

Pressure Rating:
STD 0 Bar(0 PSI) - 10 Bar (150 PSI)
HF 0 Bar(0 PSI) - 5 Bar (75 PSI)

Extension Arms:
 75mm Extension Arm supplied STD

Available Extension Arm Lengths:
 25mm 50mm 75mm 100mm

Floats: 125mm wide floats supplied standard.
 Note: Suitable for any mounting position

70mm and 95mm floats optional
 Note: Suitable for top entry only.

Specifies this Thread size

Inner Cartridge

NOTE: By changing the inner cartridge the valve can be converted from one pressure rating to the other.

Extension Arm

| | | |
|----------|----------|----------|
| Standard | Optional | Optional |
| 125mm | 70mm | 95mm |

ROJO FLOAT VALVE SPECIFICATION

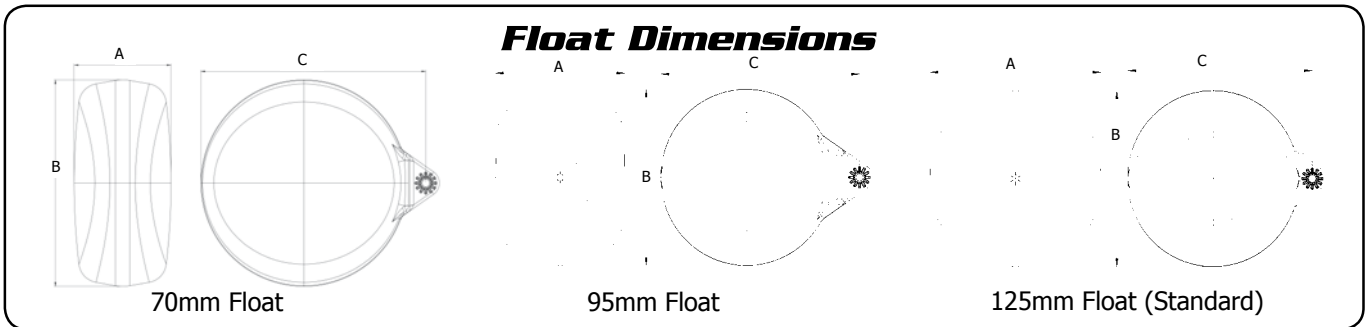
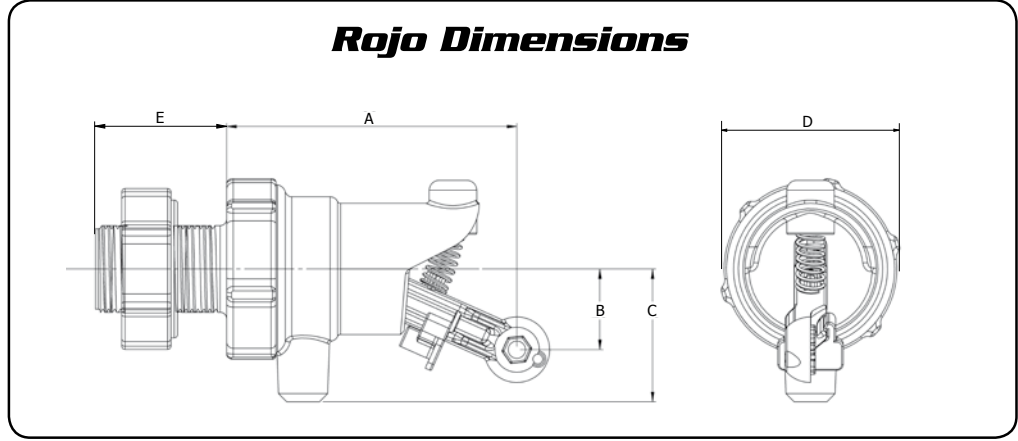
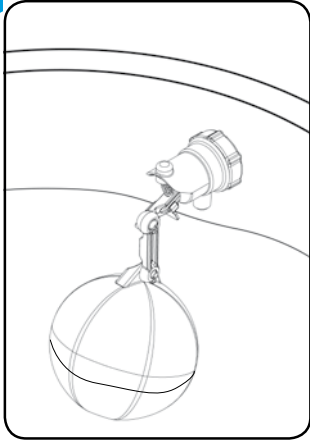
| PRODUCT | CODE | INLET SIZE | CODE | OPTIONS | CODE |
|------------------|------|------------------------------|----------|-----------------|------|
| Rojo Float valve | RJV | 1/2" bsp/npt 3/4" bsp/npt | 15 20 | High Flow (L/P) | HF |
| | | | | 25mm Extn Arm | A25 |
| | | | | 50mm Extn Arm | A50 |
| | | | | 75mm Extn Arm | A75 |
| | | | | 100mm Extn Arm | A100 |
| | | | | 70mm wide Float | F70 |
| | | | | 95mm wide Float | F95 |

(e.g) A Rojo Float Valve with: 3/4" bsp inlet, 100mm Extn Arm, 95mm Float has the following spec number: **RJV 20 A100 F95** NOTE: If no options are specified the standard ones will be supplied

Note: Product may differ slightly from these specs due to ongoing product development.



FLOAT VALVE



Note: 70mm & 95mm floats are suitable for top entry only.

| Rojo Dimensions | | | | | | | | |
|-------------------------|-------|---------|------------|-----|--------|-------------|-----|---------|
| | | | mm | | | inches | | |
| A | | | 88 | | | 3 1/2 | | |
| B | | | 25 | | | 1 | | |
| C | | | 40 | | | 1 9/16 | | |
| D | | | 56 | | | 2 1/4 | | |
| E | | | 38 | | | 1 1/2 | | |
| Float Dimensions | | | | | | | | |
| 70mm Float | | | 95mm Float | | | 125mm Float | | |
| | mm | inches | | mm | inches | | mm | inches |
| A | 70 | 2 3/4 | A | 95 | 3 3/4 | A | 126 | 4 15/16 |
| B | 149 | 5 7/8 | B | 130 | 5 1/8 | B | 130 | 5 1/8 |
| C | 162.5 | 6 13/32 | C | 145 | 5 3/4 | C | 136 | 5 3/8 |

| Materials | |
|---|---------------------|
| Valve Body Tail & Nut | ABS |
| Arm Extension Arms Internal Black Mouldings | Glass Filled Nylon |
| Yellow Valve Parts Filter | Acetal |
| Float | HDPE |
| Seal Washer | LDPE |
| Springs Bolts Nuts | 304 Stainless Steel |
| O' Rings | Nitrile |
| High Flow Seal | Santoprene |
| Float Cord | Polyester |

Maximum Temperature of Operation 45°C, 115°F