

Protect-A-Mount

PROTECTION AND MOUNTING SYSTEM



ACCESSORIES

PROTECT-A-MOUNT

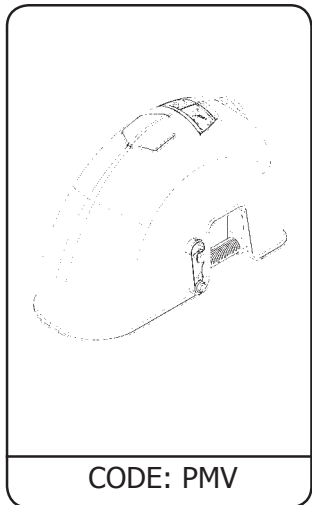
PRODUCT INFO



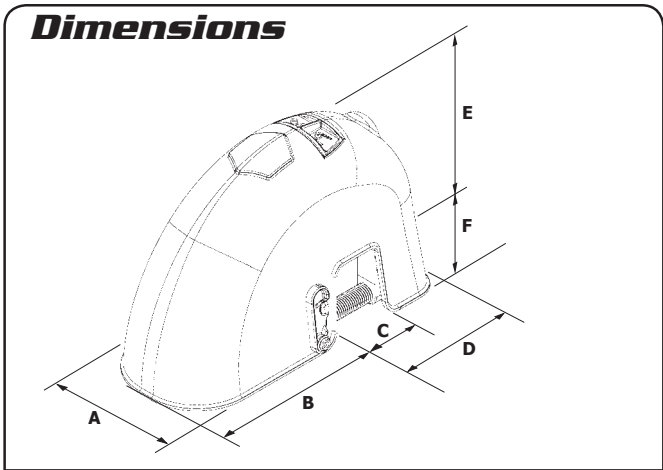
Protect-A-Mount

PROTECTION AND MOUNTING SYSTEM

Description
 Quickly and easily attaches to your trough or tank, to mount and protect your Rojo or Topaz Valve, without the use of tools.



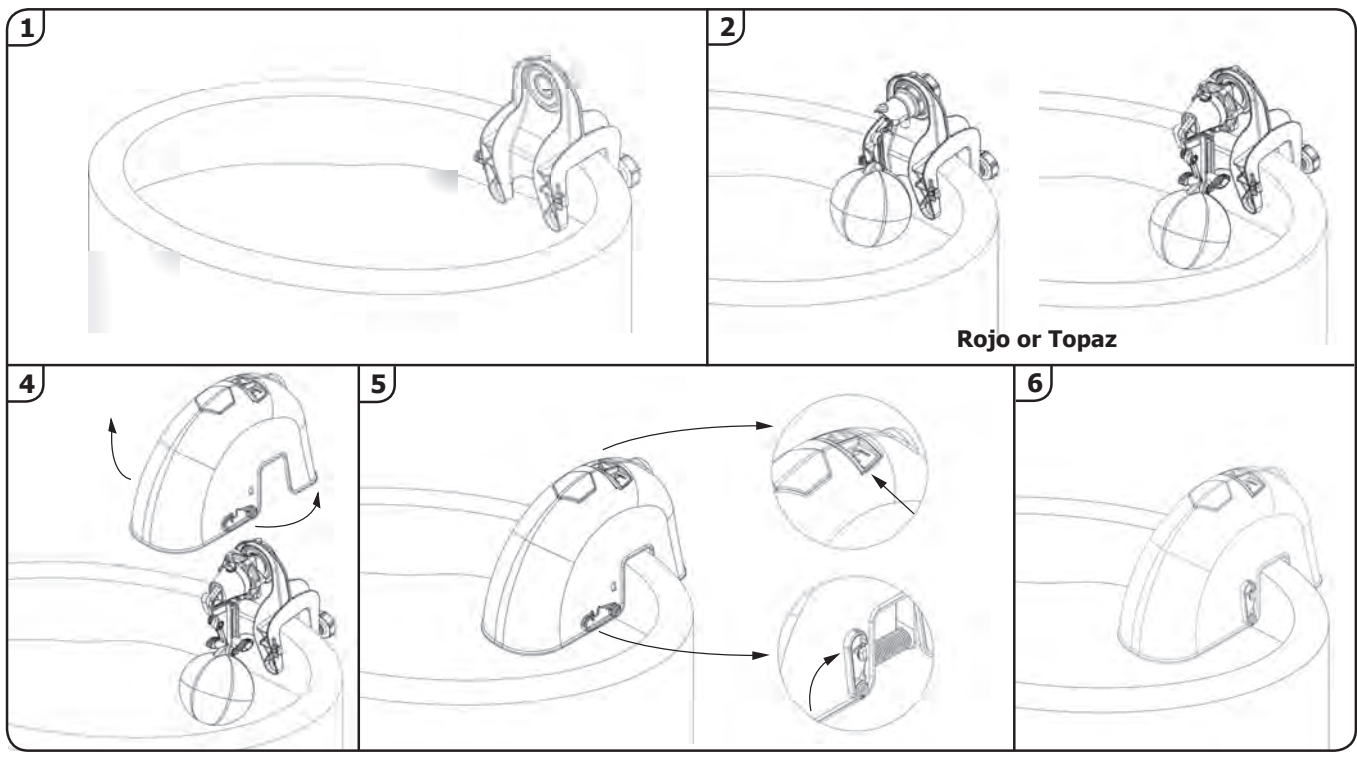
- Features**
- Quickly mounts valve on tank. No tools required.
 - Great protection from all animals including horses, cattle and deer.
 - Fits most styles of tanks and troughs (plastic, metal, concrete).
 - Robust tough and durable (UV protected).
 - Mounts valve with 50mm air break to eliminate back syphoning
 - Ideal for pasture or yard installations.



		(mm)	(Inch)
A	Overall Width	180	7 13/16
B	Inner Edge of Trough to Front of Cover	005	9 1/4
C	Max Trough Thickness	75	2 15/16
D	Inner Edge of Trough to Back of Cover	175	6 15/16
E	Top Edge of Trough to Top of Cover	170	6 3/4
F	Top Edge of Trough to Bottom of Cover	103	4 1/16

Note: Suitable for use with:
Topaz Model: TPV20DLT
Rojo Model: RJV20 RJV20HF

Installation



ACCESSORIES