



### Description

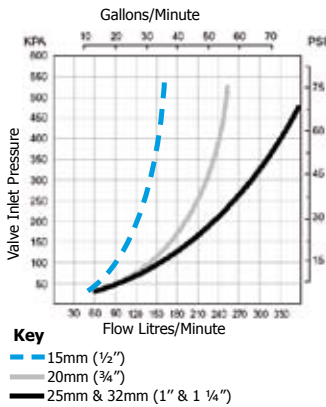
**Megaflow trough valves** are float operated valves for use in automatic filling of water troughs. The valve is configured for **underwater mounting only**. The float is connected to the valve with a nylon cord, this operates a pilot valve, when the water level drops, the pilot valve is opened and the main diaphragm valve is activated. Megaflow is a good choice where its **high flow**, compact, robust, non corrosive construction is beneficial.

### Applications

Maintaining water levels in:

- Animal drinking troughs
- Water storage tanks

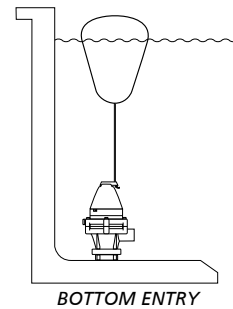
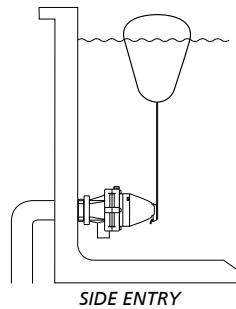
### Flow Graph



### Features

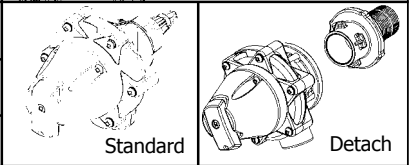
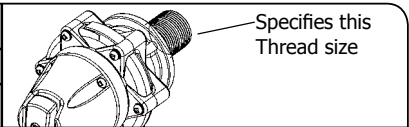
- High flow
- Compact robust construction
- 20-60mm (3/4" - 2 1/2") water level differential (increases as water pressure increases)
- Positive on/off operation
- Lock off with cord lock
- 0.3 - 10 bar (5 - 150 P.S.I.) pressure rating
- Inlet filter
- Constructed from corrosion resistant materials
- Under water installation helps avoid freezing
- Valve is less prone to stock damage

### Mounting Positions



### Options

	BSP				NPT			
Inlet Size	1/2"	3/4"	1"	1 1/4"	1/2"	3/4"	1"	1 1/4"
STD Base Short Tail		✓	✓	✓		✓	✓	
Detach Base Short Tail		✓	✓	✓		✓	✓	✓
Detach Base Long Tail	✓	✓			✓	✓	✓	



**Long Tail:** Available only with Detach Base. Supplied with backnut and seal washer.  
 1/2" Long Tail: 100mm long.  
 3/4" Long Tail: 38mm long.



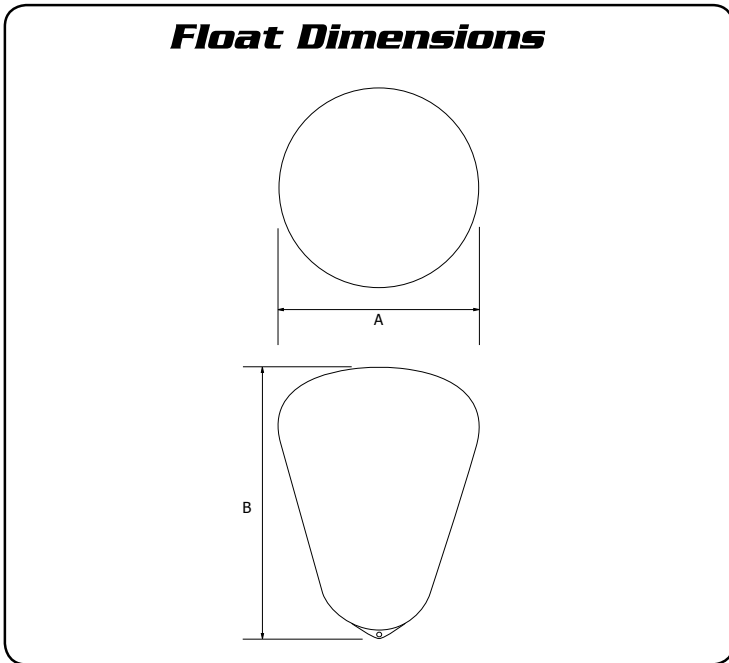
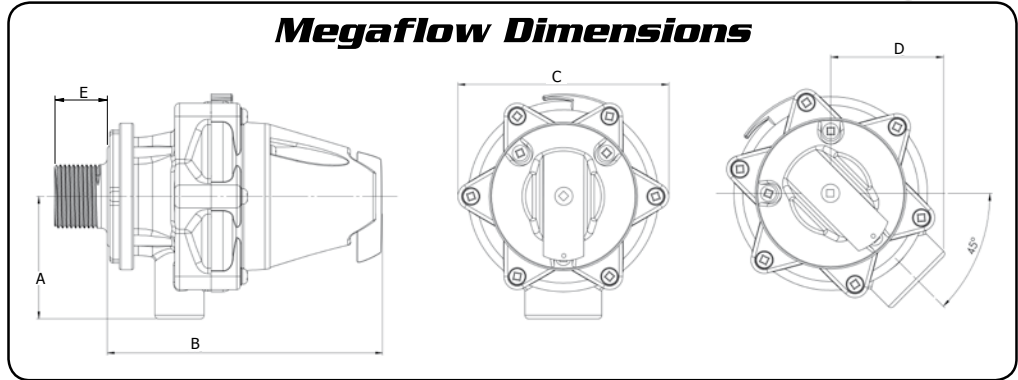
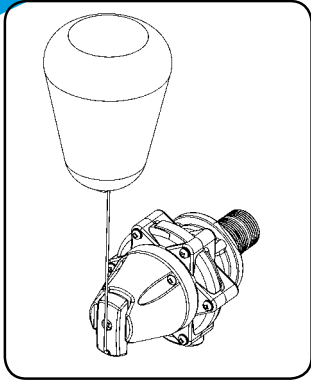
### MEGAFLOW TROUGH VALVE SPECIFICATION

PRODUCT	CODE	INLET SIZE	CODE	OPTIONS	CODE
Megaflow Trough Valve	MFV	1/2" bsp/npt	15	Detach Base	D
		3/4" bsp/npt	20	Long Tail Base	LT
		1" bsp	25		
		1" npt	1"		
		1 1/4" bsp	32		
		1 1/4" NPT	1 1/4"		

(e.g) A Megaflow Trough Valve with: 3/4" bsp inlet thread, detach base, long tail thread has the following spec number: **MFV 20 D LT** NOTE: If no options are specified the standard ones will be supplied

Note: Before using check that under water mounting is allowed by local regulations.

Note: Product may differ slightly from these specs due to ongoing product development.



**Megaflow Dimensions**

	mm	inches
A	51	2
B	115	4 1/2
C	88	3 7/16
D	46	1 13/16
E	100	4
1/2" Long Tail	22	7/8
3/4" Short Tail	22	1 1/2
3/4" Long Tail	38	1 1/2
1" BSP	22	7/8
1" NPT	22	7/8
1 1/4"	25	1

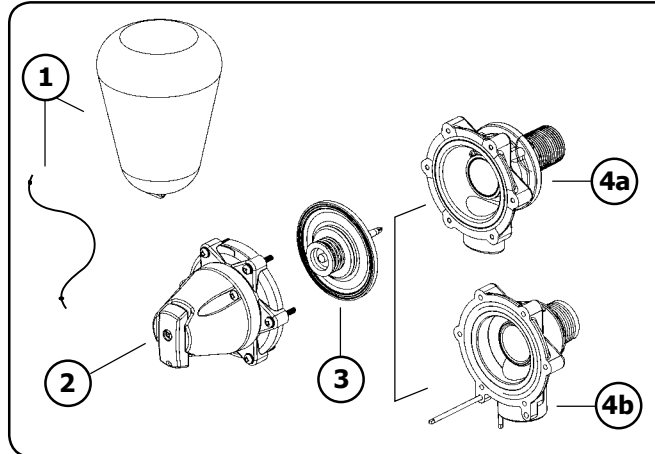
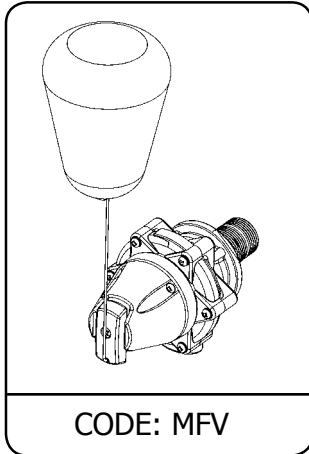
**Float Dimensions**

	mm	inches
A	118	4 5/8
B	168	6 5/8

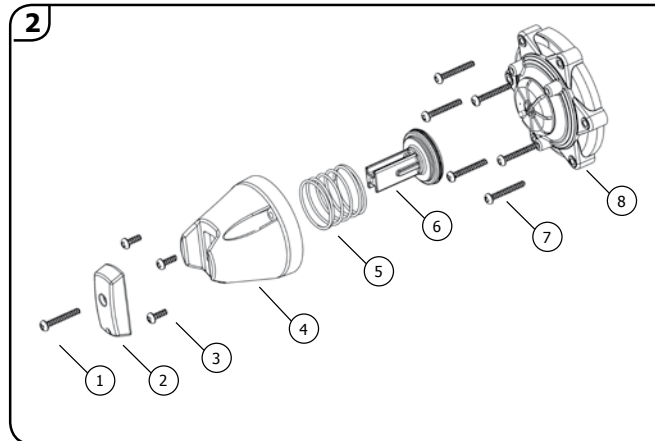
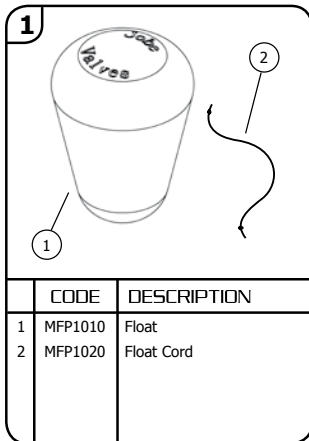
**Materials**

Body	ABS
Yellow Internal Parts	Acetal
Filter	Acetal
Diaphragm	EPDM
Seal	Urethane
Springs, Bolts, Nuts, Pin, Screws	304 Stainless Steel
Detach Seal	Santoprene
O'Rings	Nitrile
Float	HDPE
Seal Washer	LDPE
Float Cord	Polyester

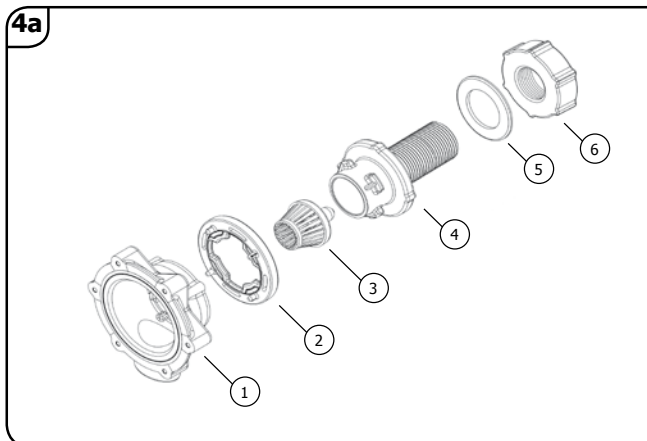
Maximum Temperature of Operation 45°C, 115°F



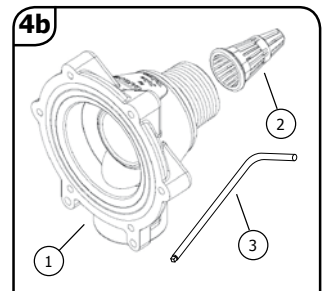
CODE	DESCRIPTION
1	Float Assembly
2	MFP2 Cap & Actuator Assembly
3	MFP3 Diaphragm Assembly
4a	Detach Base Assembly
4b	1 Piece Base Assembly



CODE	DESCRIPTION
1	MFP2050 6g x 25 S/S Screw
2	MFP2041 Two Part Actuator Top
3	MFP2010 6g x 10 S/S Screw
4	MFP2020 Actuator Cap
5	MFP2030 Actuator Spring
6	MFP2040 Actuator (yellow)
7	MFP2050 6g x 25 S/S Screw
8	MFP2060 Valve Cap Assembly



CODE	DESCRIPTION
1	MFP4A010 Detach Base
2	MFP4A020 Detach Seal
3	MFP4A030 Detach Filter
4	MFP4A0410 Detach Tail 15mm (1/2") Long
	MFP4A0415 Detach Tail 20mm (3/4") Short
	MFP4A0420 Detach Tail 20mm (3/4") Long
	MFP4A0425 Detach Tail 25mm (1") Short
	MFP4A0430 Detach Tail 1" NPT
	MFP4A0435 Detach Tail 32mm (1 1/4") Short
	MFP4A0440 Detach Tail 1 1/4" NPT Short
5	MFP4A050 Seal Washer 15mm (1/2")
	MFP4A051 Seal Washer 20mm (3/4")
6	MFP4A060 Backnut 15mm (1/2")
	MFP4A062 Backnut 20mm (3/4")



CODE	DESCRIPTION
1	MFP4B0110 1 Piece Base 20mm (3/4")
	MFP4B0120 1 Piece Base 25mm (1")
	MFP4B0125 1 Piece Base 1" NPT
	MFP4B0130 1 Piece Base 32mm (1 1/4")
2	MFP4B020 Filter 20mm (3/4")
	MFP4B021 Filter 25mm (1")
	MFP4B022 Filter 32mm (1 1/4")
3	MFP4B030 Square Drive Key